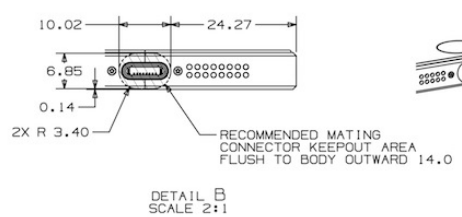
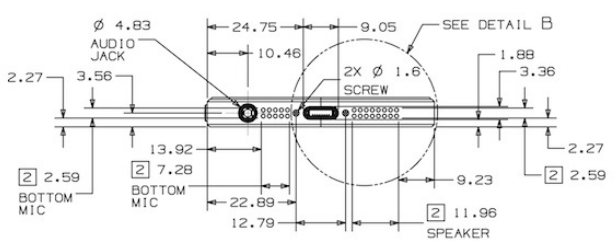
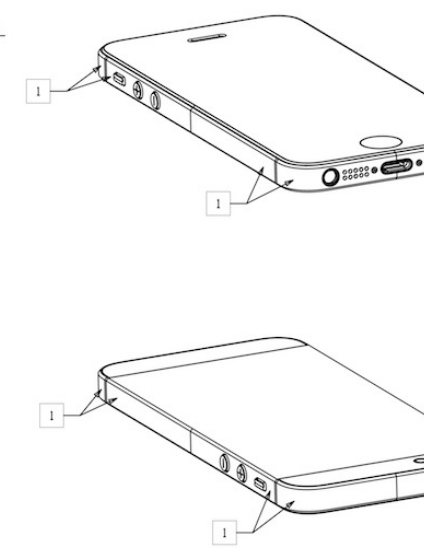
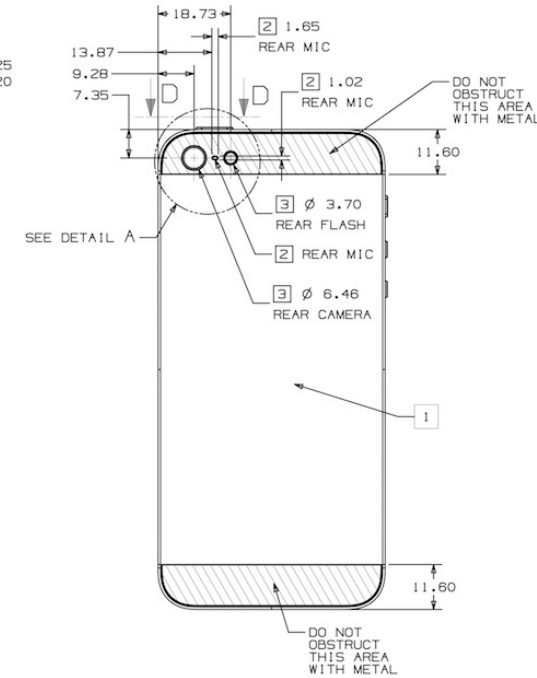
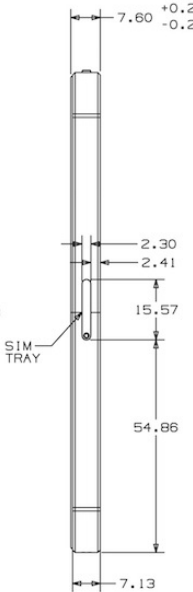
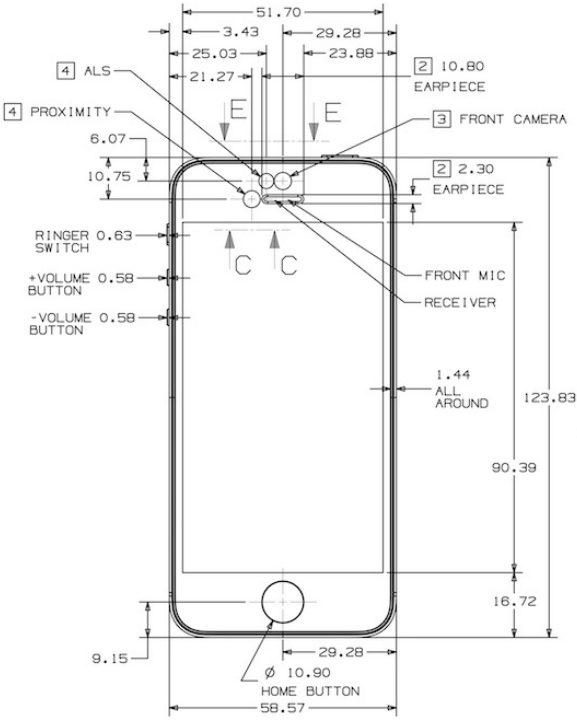
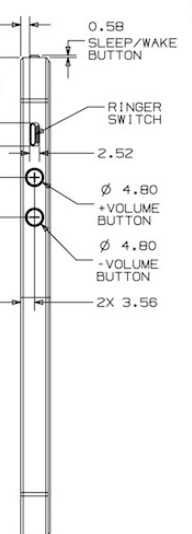
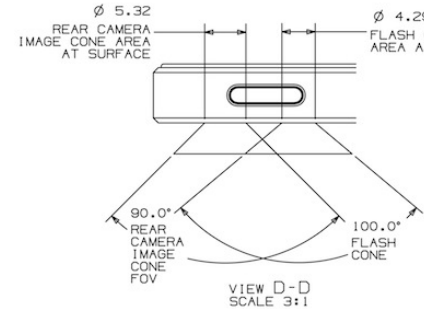
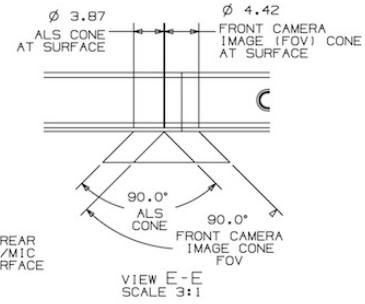
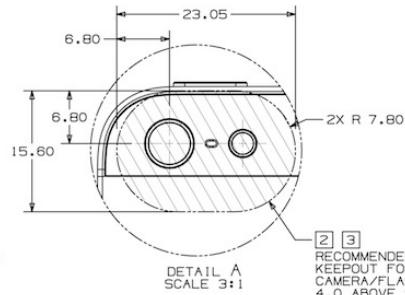
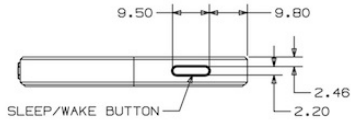
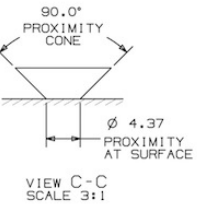




Right to Repair

Nathan Proctor | U.S. PIRG | @nProctor | © [CC BY 2.0](#)

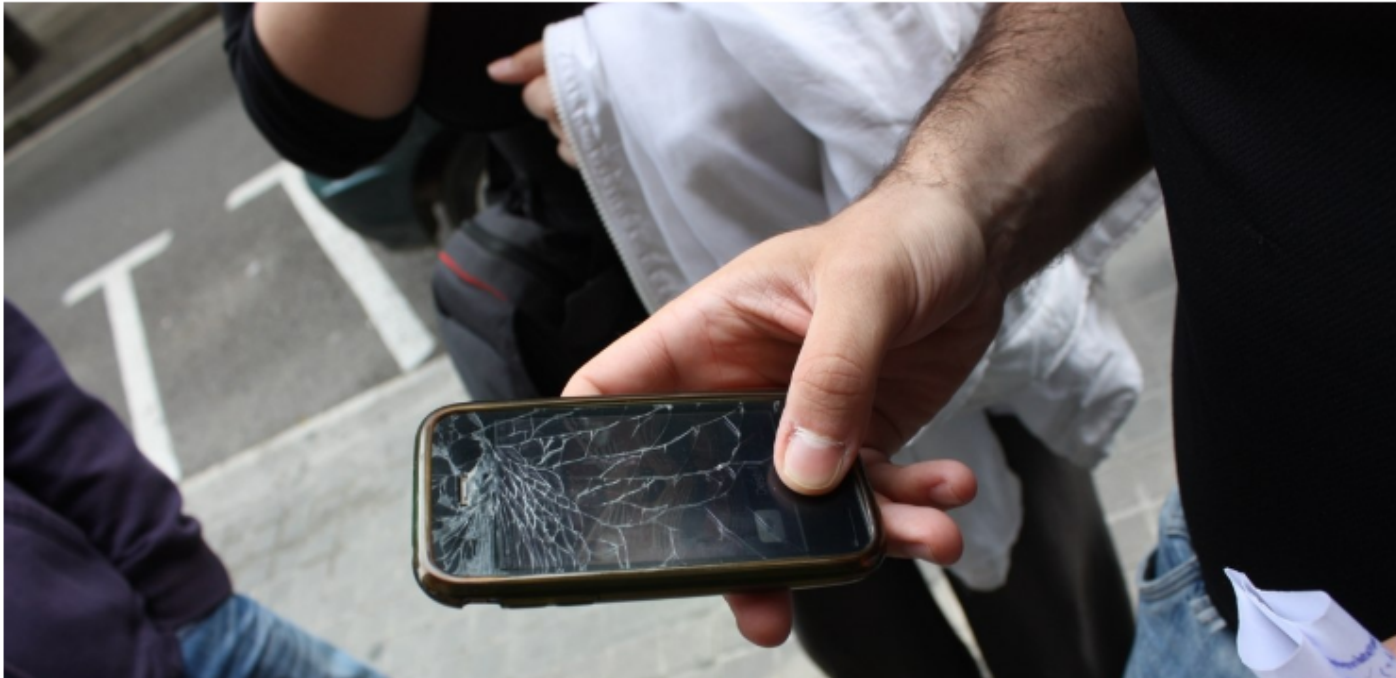
CONTACT WITH iPhone 5 METAL.
 OBSTRUCT THE ACOUSTIC OPENINGS: FRONT MIC, REAR MIC, EARPIECE, AND SPEAKER.
 OBSTRUCT THE IMAGING FEATURES: FRONT CAMERA, REAR CAMERA, REAR FLASH.
 OBSTRUCT THE PROXIMITY SENSOR OR ALS (AMBIENT LIGHT SENSOR).



METRIC		Apple Inc.	
DRAWN	DATE	NOTICE OF PROPR	
APPLE INC.	09/12/12	THE INFORMATION CONTAINED	
DESIGNER	DATE	PROPERTY OF APPLE INC.	
APPLE INC.	09/12/12	©2012 APPLE INC. ALL RIGHTS	
		RESERVED. APPLE, iPhone AND	
		REGISTERED IN THE U.S. AND	
DIMENSIONS ARE IN MILLIMETERS		TITLE	
TOLERANCES		IPHO	
X.X	±0.4		
X.XX	±0.20		
X.XXX	±0.100		
ANGLES	±0.5°		
DO NOT SCALE DRAWINGS		DRAWING NUMBER	
THIRD ANGLE PROJECTION		SCALE	
		NONE	

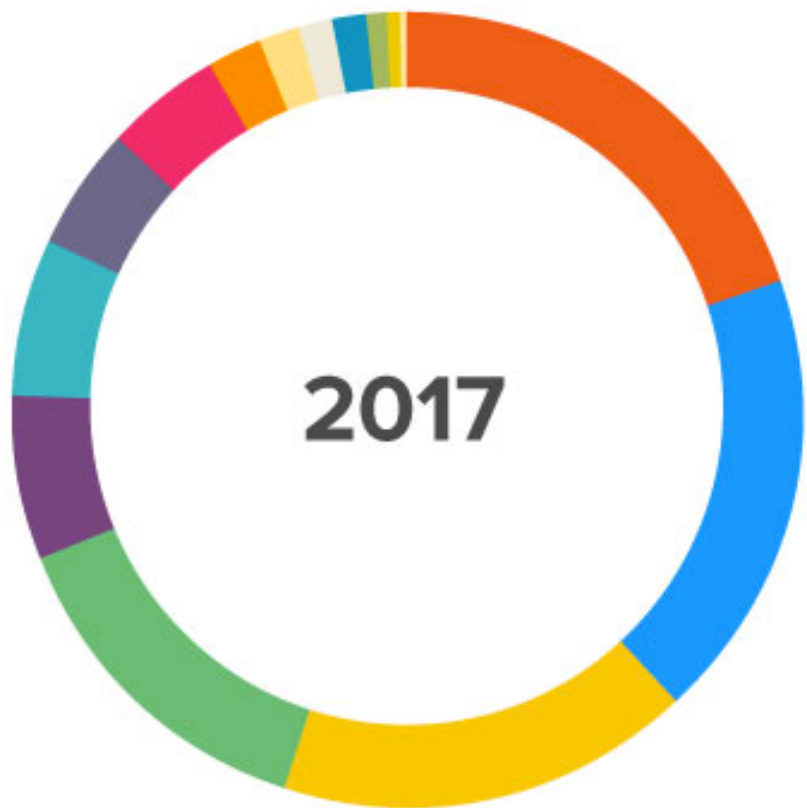
Oregon Lawmakers Want to Help Mom-and-Pop Shops Repair Your iPhone. They'll Have to Get Past Apple First.

No state legislature has successfully addressed the monopoly on tech repairs.



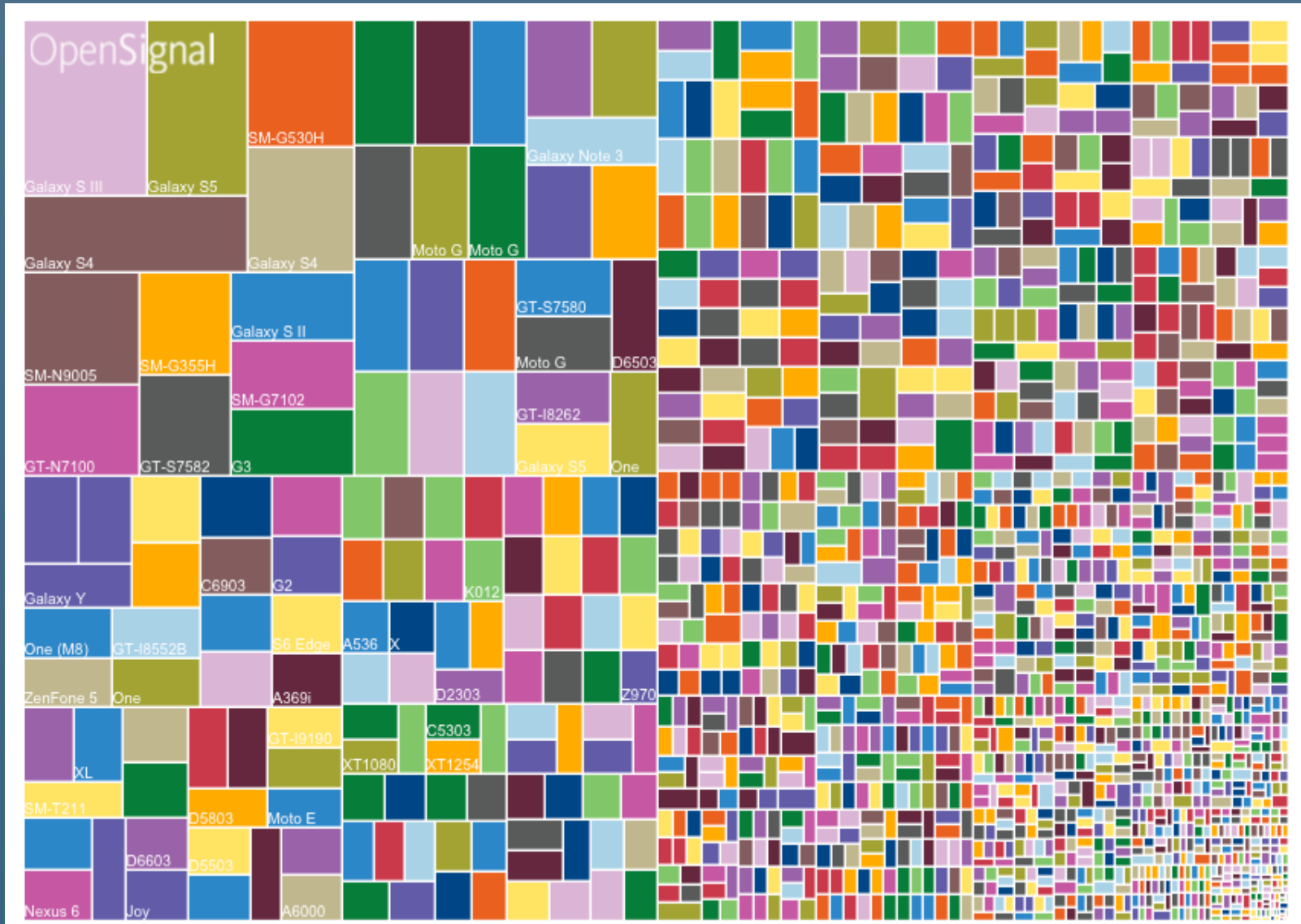
Rep. Jeff Barker (D-Portland) doesn't support the current version of the bill but hopes backers can "tailor a bill that doesn't go after super-secret information that industries have "

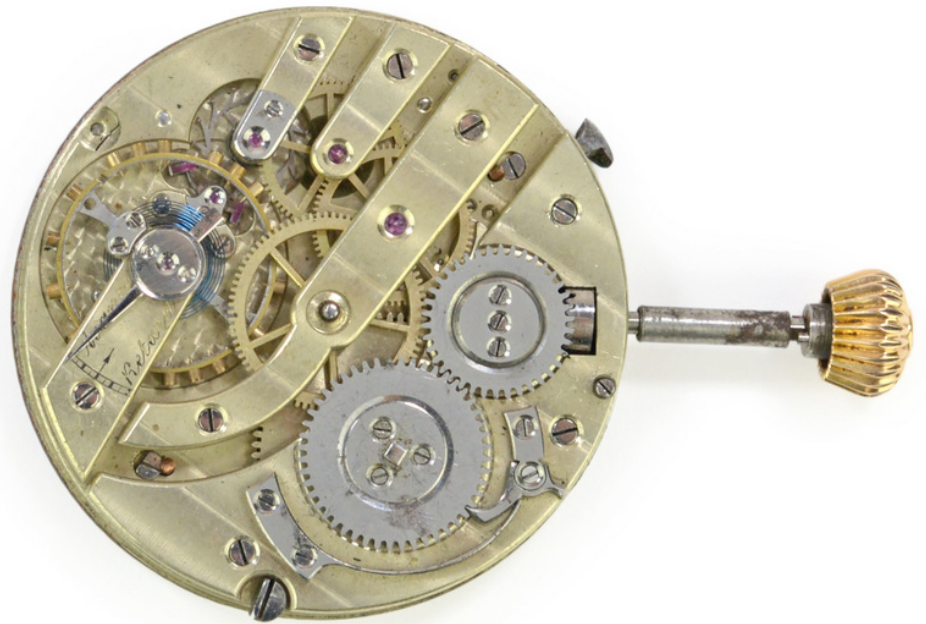
iPhone X Breaks into Market Share

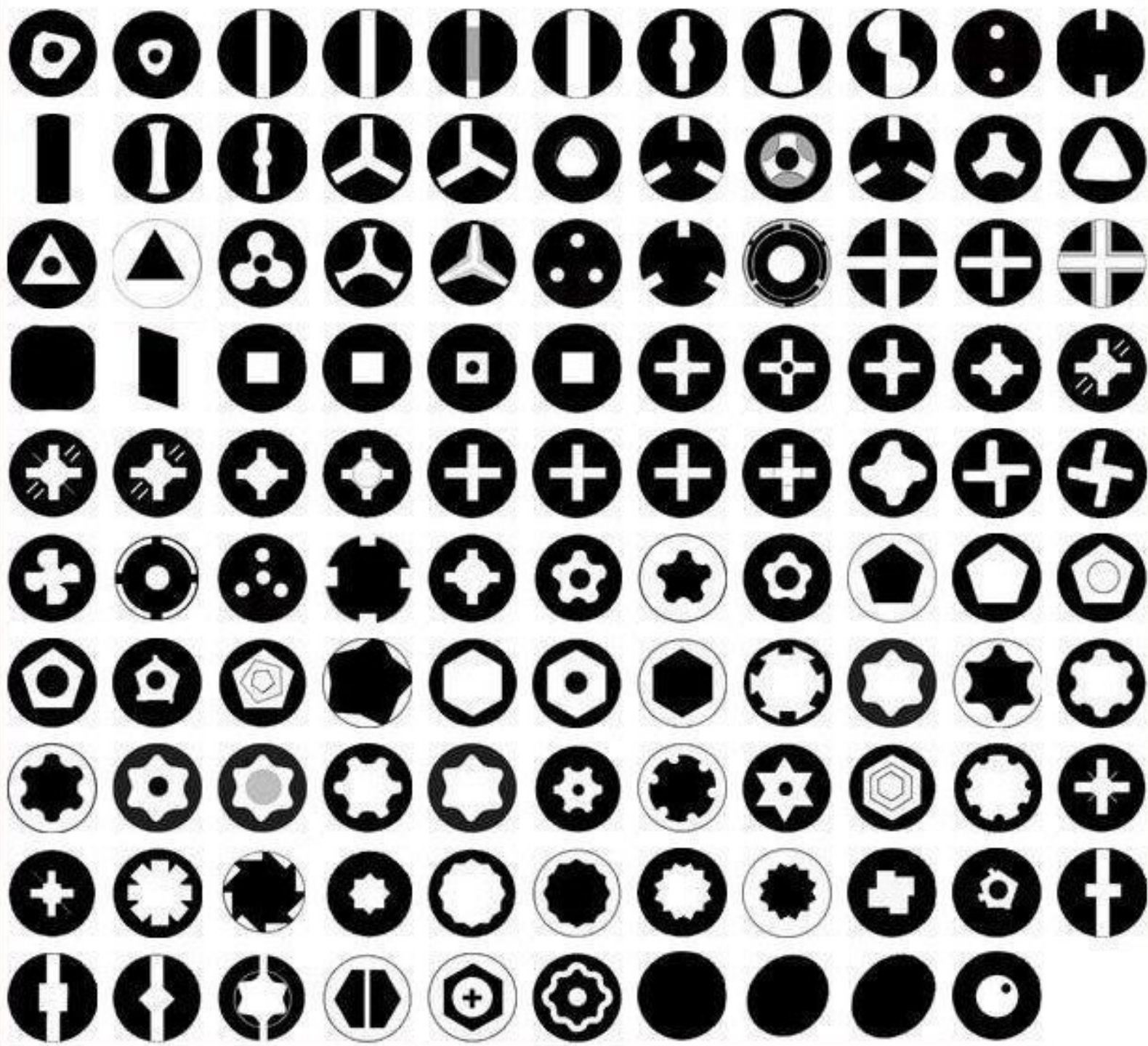


iPhone 7	19.74%
iPhone 6S	18.58%
iPhone 6	16.77%
iPhone 7 Plus	13.83%
iPhone 6S Plus	6.77%
iPhone 5S	6.43%
iPhone SE	4.91%
iPhone 6 Plus	4.77%
iPhone 8 Plus	2.18%
iPhone 8	1.68%
iPhone 5	1.51%
iPhone 5C	1.19%
iPhone X	0.93%
iPhone 4S	0.58%
iPhone 4	0.14%

Android Fragmentation









821
1982
A

025mk
1445

1971-A
821
mek 74
1444

Why is it so hard to fix our stuff?

- We no longer get access to what need to maintain many electronics
 - No schematics or repair documentation
 - No OEM spare parts
 - No diagnostic software
 - No access to firmware updates
 - Special proprietary tools
 - Software locks that only dealers can unlock

MOTHERBOARD



How does our opposition
see Right to Repair?

What are the large
manufacturers' goals?



The Circular Monopoly	Ownership
Customers are “licensed users”	You own it
Life cycle of product is proprietary	You can keep it for as long as you want
Product is considered intellectual property to the greatest extent possible	Product is considered personal property of the consumer
Customer dependent on manufacturer for continued use of product	Customer has greatest possible array of choices for continued use

Right to Repair Model Legislation

- A state law to require companies give us access to:
 - Schematics or repair documentation
 - OEM spare parts
 - Diagnostic software
 - Firmware updates
 - Any special tools

On “fair and reasonable” terms

Our values:

REPAIR MANIFESTO

WE HOLD THESE TRUTHS TO BE SELF-EVIDENT

IF YOU CAN'T FIX IT, YOU DON'T OWN IT.

REPAIR IS BETTER THAN RECYCLING

Making our things last longer is both more efficient and more cost-effective than mining them for raw materials.

REPAIR SAVES YOU MONEY

Fixing things is often free, and usually cheaper than replacing them. Doing the repair yourself saves you money.

REPAIR TEACHES ENGINEERING

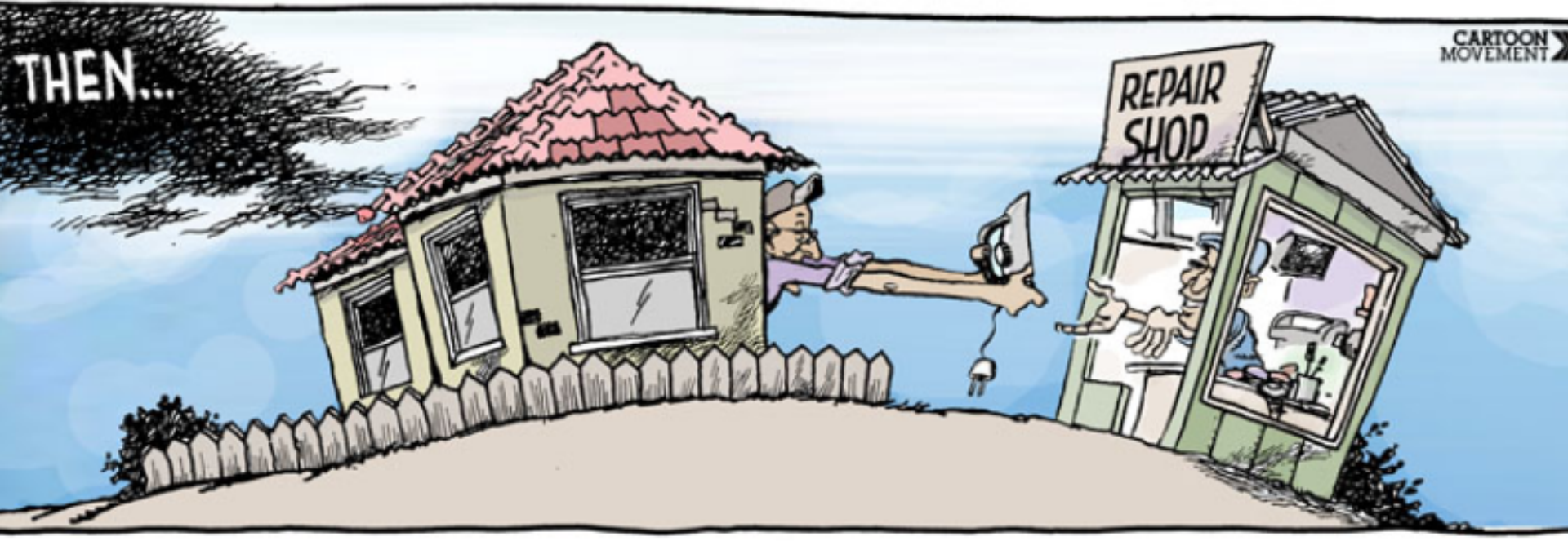
The best way to find out how something works is to take it apart.

REPAIR SAVES THE PLANET

Earth has limited resources. Eventually we will run out. The best way to be efficient is to reuse what we already have.



THEN...



NOW...



RA

On average, America throws out

416,000

Phones Every Day

Image: Fairphone / Close the Loop

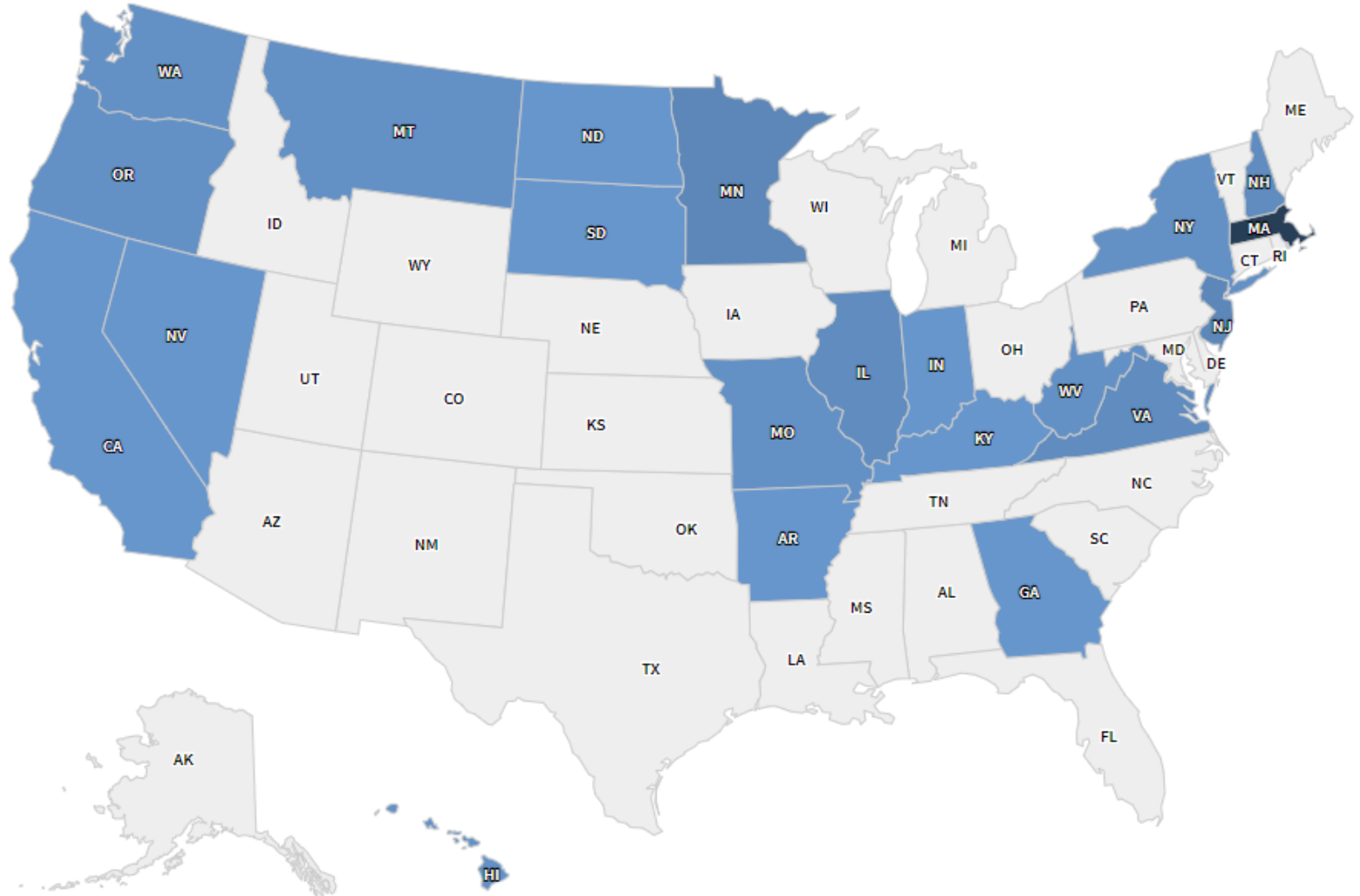
The Coalition for Right to Repair






Front 1: State laws

Legislative Map





Massachusetts "Right to Repair" Initiative, Question 1 (2012)

The **Massachusetts "Right to Repair" Initiative**, also known as **Question 1**, was on the **November 6, 2012 general election ballot** in the state of **Massachusetts** as an **initiated state statute**, where it was **approved**. The measure, originally filed four times with the **Massachusetts Attorney General**, was filed by Arthur W. Kinsman, and was assigned initiative numbers **11-17** . The proposal required automobile manufacturers to provide non-proprietary diagnostic directly to consumers and also the safety information needed to repair their cars.^{[1][2]}

According to reports, on the last day of session, a **legislative compromise** was confirmed. Although the compromise was enacted, Question 1 remained on the ballot. The measure became a law as well when voters approved it.^[3]

Question 1




Type [State statute](#)
Origin [Right to Repair Coalition](#) 
Topic [Business regulation](#)
Status 

Election results

See also: [2012 ballot measure election results](#)

The following are **official** election results:

Massachusetts Question 1		
Result	Votes	Percentage
 Yes	2,353,603	87.7%
No	392,562	12.3%

Results via [the Massachusetts Secretary of State](#) .

Front 2: Fixing Copyright Law



Cory Doctorow and Kyle Wiens discussing a hearing on the DMCA in Los Angeles in April.



Front 3: Fixing our throwaway mentality



Recent Progress:

- Huge win for DMCA 1201 exemptions:

Sections 

The Washington Post
Democracy Dies in Darkness

The Switch

‘Right-to-repair’ advocates claim major victory in new smartphone copyright exemption



MOTHERBOARD

RIGHT TO REPAIR | By Jason Koebler | Oct 25 2018, 12:41pm

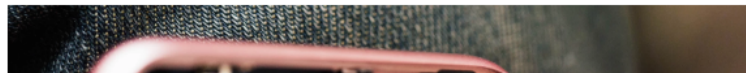
In Groundbreaking Decision, Feds Say Hacking DRM to Fix Your Electronics Is Legal

The new exemptions are a major win for the right to repair movement and give consumers wide latitude to legally repair the devices they own.

SHARE



TWEET



PSP® (PlayStation® Portable)

DC 5V = 1.2A

FCC ID: AK8PSP2001



IC: 409B-PSP2001

FCC Statement See Instruction Manual
Complies Canada ICES-003/NMB-003

CERTIFICATION COMPLIES WITH 21 CFR 1040.10
AND 1040.11 EXCEPT FOR DEVIATIONS PURSUANT TO
LASER NOTICE NO.50. DATE JULY 26 2001.

SONY COMPUTER ENTERTAINMENT Inc.
2-6-21, MINAMI-AOYAMA, MINATO-KU, TOKYO,
107-0062 JAPAN

MANUFACTURED: HONGFUTAI YAN TAI CHINA
Apparatus Claims of U.S. Patent Nos. 4,631,603,
4,577,216, 4,819,098 and 4,907,093 licensed for
limited viewing uses only.

SERIAL No. **HU1124865**

Sony Computer Entertainment Inc.
MADE IN CHINA 3-2-949-01

WARRANTY VOID IF SEAL DAMAGED
FR. GARANTIE NON VALABLE SI SCHE
END IMAGE. / ES: GARANTIA NO E
VALI SI SELLO ES

ILLLEGAL

FTC Signals more coming

MOTHERBOARD

RIGHT TO REPAIR | By Matthew Gault | Oct 11 2018, 2:27pm

45 Out of 50 Electronics Companies Illegally Void Warranties After Independent Repair, Sting Operation Finds

New research showed that 90 percent of contacted companies told customers that repairing their own device would void the warranty; that's illegal under federal law.

SHARE



TWEET



U.S. PIRG

THE FEDERATION OF
STATE PIRGS

ABOUT



ISSUES



ACT NOW

DONATE

JOBS

HOME >

NEWS RELEASE

AFTER WARNING COMPANIES THAT "VOID WARRANTY IF REMOVED" ARE ILLEGAL, THE FTC IS EXPANDING THEIR INVESTIGATION INTO ANTI-REPAIR PRACTICES

Contact
Nathan Proctor

Statement from U.S. PIRG applauds the move
WEDNESDAY, MARCH 13, 2019

The Federal Trade Commission [announced today](#) it will expand its efforts to prevent anti-repair activities by holding a workshop on the subject in July and also committing to more research into these practices by manufacturers.

This announcement comes after the FTC sent [warning letters last April](#) to six companies saying their "void warranty if removed" stickers violated consumer rights under Magnusson-Moss Warranty Act. A subsequent survey in October by U.S. PIRG Education Fund, "[Warranties in the Void](#)," showed

How you can get involved:

- 1) Take action at Repair.org - let you state representatives know you want Right to Repair
- 2) Help us counter industry claims
- 3) Support U.S. PIRG, Repair.org and other organizations working on the issue

secure**repairs**.org

security professionals for a fixable future

Fixable stuff is secure stuff.

Join other information security professionals in supporting the rights of owners and independent repair professionals.

Join Us!

[Our mission](#)

[Statement of Principles](#)

[Join Us](#)

[About Us](#)

[Blog](#)